

55-66GHz Broadband Power Amplifier



Product Overview

AT-PA-5566-1522VG is high power amplifier with +22dBm output power in the frequency of 55-66GHz. The DC power requirement is +5V/550mA. The module is with 1.85mm Female

The power amplifier has high gain, high linearity, low input/output return loss and flat gain response.

More information, please visit www.atmicrowave.com

Advantages

- ✓ Frequency: 55-66GHz
- ✓ P1/Psat:+20/22dBm
- ✓ Small signal gain: 15dB
- ✓ Single Power Supply

Application

- ✓ U Band Communication
- ✓ Test Equipment
- ✓ ROF (RF Over Fiber)
- ✓ Radar System

Key Features

Parameter	Min	Typical	Max
Frequency		55-66GHz	
Gain	13	15dB	
P1Db		+20dBm	
Psat		+22dBm	
Drain Supply		+5V	+8V
Current		550 mA	
Input Return Loss		-5dB	
Output Return Loss		-5dB	
Spec Temp		25C	





AT-PA-5566-1522VG

55-66GHz Medium Power Amplifier

Mechanical Information

Item	Description
Input Port	1.85mm Female
Output Port	1.85mm Female
Case Material	Copper
Finish	Gold Plated
Package Sealing	Epoxy Sealed
Weight (Without Heatsink)	90g
Size:	30x30x14 mm

Absolute Maximum Ratings Table

Parameter	Value
Drain Supply	+9V
RF Input Power	+15dBm
Operating Temperature	-20 to +66C
Storage Temperature	-66 to +150C

Caution:

Please pay attention to the case temperature.

If case temperature exceeds +50C, heat sink and fan are required.

Bias Procedure:

Make sure GND is connected before Vdd Power ON.

Module may be damaged when Vdd Power ON without GND.





AT-PA-5566-1522VG

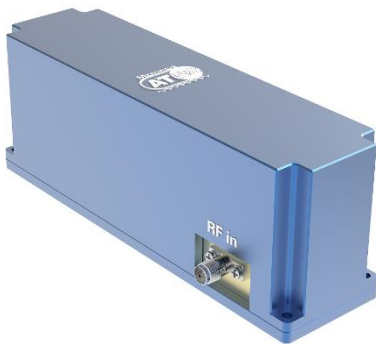
55-66GHz Medium Power Amplifier

Notes:

1. Datasheet may be changed according to update of MMIC, Raw materials , process, and so on.
2. This data is only for reference, not for guaranteed specifications.
3. Please contact AT Microwave team to make sure you have the most current data.

Part Number Selection Guide

Item	Description
PN	Stand Module with DC Power Supply
PN-LCBT	L ow Cost, C ompact B ench- T op, +220V Supply with AC/DC Adapter

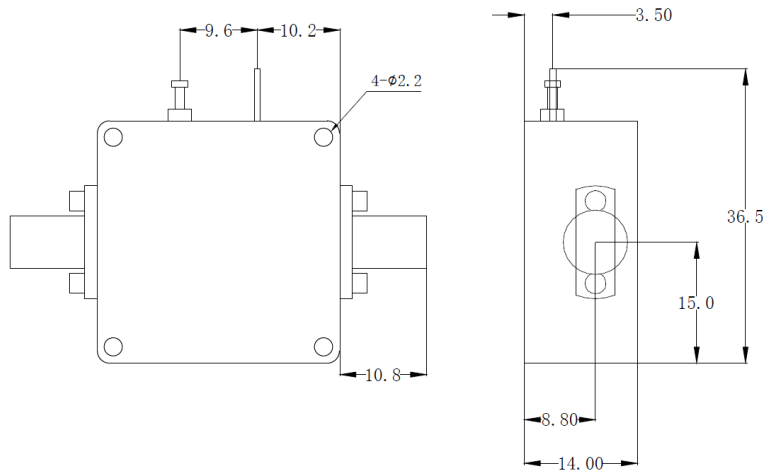


Test Data

Please note that test curves will vary slightly from unit to unit.

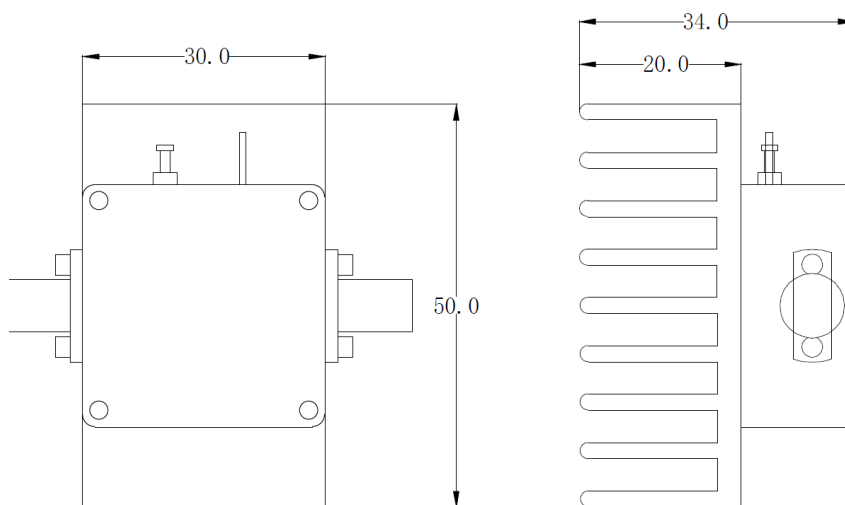


Dimension: (unit in mm)



	<26.5GHz	<40GHz	<50GHz	<67GHz
Connector	SMA	2.92mm	2.4mm	1.85mm
Length of a	9.4mm	9.5mm	10.8mm	11.3mm

Note: Female Default. Contact with us for other types.



Including a small heatsink without Fan if output Power higher than +20dBm.
Customers can removed it or use their own heatsink according to actual situation.

Heat Sink Required During Operation

